



V-TAL[®]

GEARED AND PLAIN TROLLEY

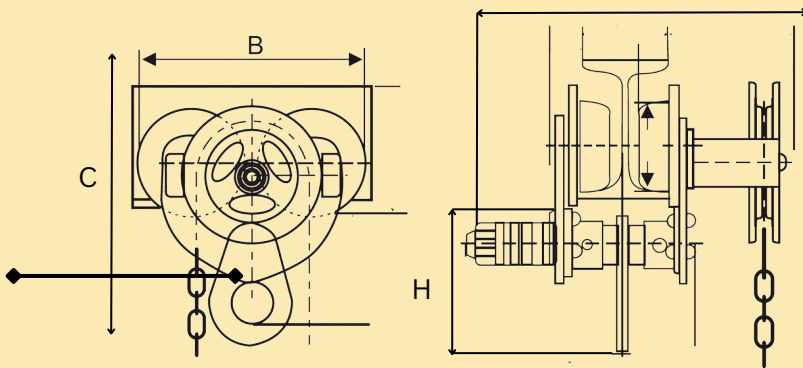




V-TAL[®]

GEARED TROLLEY

Capacity	I-Beam Width (mm)	N.W. (kg)	A	B	C	H
1t	75-125	15	277	206	222	123.5
2t	100-150	18	311	240	267	132.5
3t	100-150	35	358	282	320	175
5t	125-175	54	401	327	391.5	190
10t	125-180	100	442	389	490	275



PLAIN TROLLEY

Capacity	I-Beam Width (mm)	N.W. (kg)	A	B	C	H
0.5t	75-125	5	208	170	190	106.5
1t	75-125	8	220	206	222	123.5
2t	100-150	13	260	240	267	132.5
3t	100-150	25	285	282	320	175
5t	125-175	44	338	327	391.5	190

