







UQAB HOISTING AND MARINE INDUSTRY


HUSAIN NEEMUCHWALA- DCE. MBA
Founder **+91 98200 72643**


 **Head office**-Unit No 2913, 29th Floor, Marathon Futurex, A Wing, NM Joshi Marg, Lower Parel, Mumbai, 400013


 +91 9324477380 / +91 8928041247

 **Factory**- Plot No. 106. New GIDC 52, Hector Exp. Area, Station Road, Umbergaon, Dist. Valsad- 396171

 +91 7203956549

 **Workshop**- No. 177. Reti Bunder, Darukhana, Mumbai-400010

 salesuqab@gmail.com

 www.v-talhoist.com



VITALS



Refer to the UHMI logo for original V-tal products

CE



GERMANY SAFETY CERTIFIED



GERMAN Certified



What is TUV certificate?

A TUV certification means a sampling of the product has been tested for safety and found to meet the minimum requirements of the German Equipment and Product Safety Act. GS is an acronym for Geprüfte Sicherheit (meaning "tested for safety" or "certified for safety").

Our Certificates



www.tuv.com
ID 1111231630



Standard Features

- High strength steel frame.
- Two points support, the driving shaft is fixed by cantilever structure.
- It on ratchet part.
- The performance of maintenance-free bearing is close to rolling bearing, better corrosion resistance.
- The friction disc and ratchet as replacement parts, more convenient.
- Larger diameter of friction disc ensure reliable brake.
- The material of hook is alloy steel, passed heat treatment.
- It includes stamping safety latch.
- The hook frame is forging with more reliable quality.
- Opening style cover with curved edge, easy for hand chain replacement and smooth operation.
- The ratchet cover fixed by support rod, effectively protecting brake system.
- Steel bushing on both black oxide side plate, smooth operation. Black oxide roller guide and stamping stripper.
- Load Chain is alloy steel G80 according to EN818-7 (German Standard)
- Brake seat and driving shaft connected by screw thread. Driving shaft passed heat treatment with high precision dimension.



Optional Features



Roller bearing on load sprocket



G80 load chain with CE/GS Certificate according to EN818-7 standard



According to ATEX directive

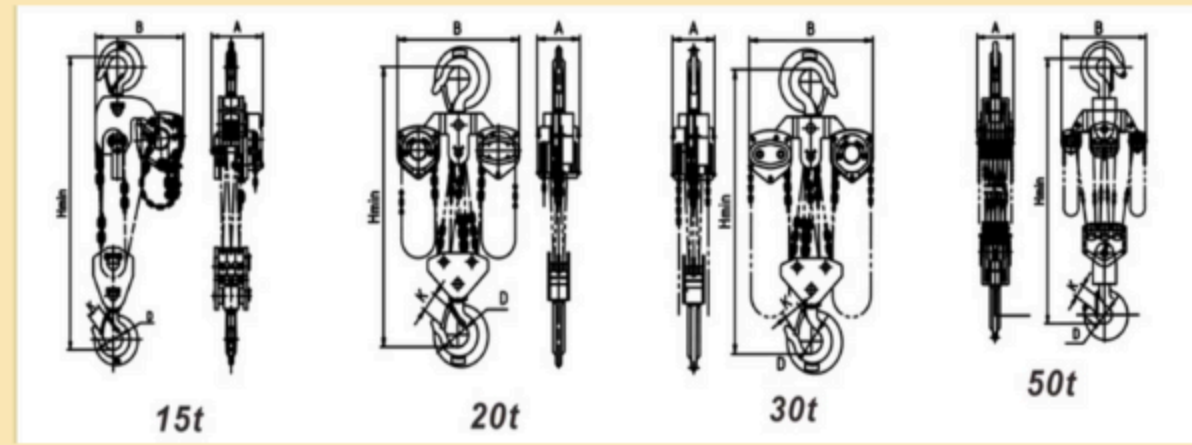
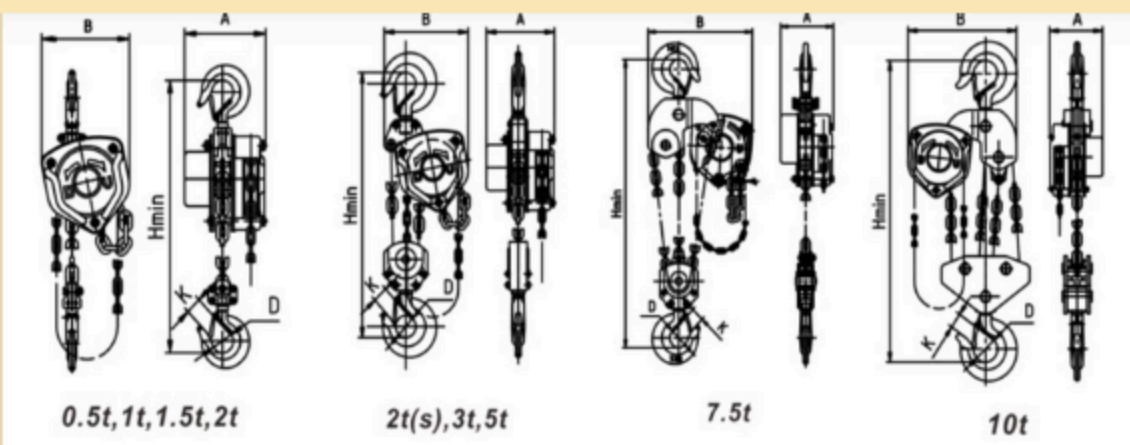


GERMANY SAFETY CERTIFIED



www.tuv.com

ID 1111231630



Model	A-plus										
Capacity	tons	0.5	1	1.5	2	3	5	10	20	30	50
Load Chain	mm	6×18	×18	8×24	8×24	8×24	10×30	10×30	10×30	10×30	10×30
Hand Chain	mm	5×25									
Strands Of Load Chain		1	1	1	1	2	2	4	8	12	22
Strands Lift	m	2.5	2.5	2.5	3	3	3	3	3	3	3
Moving Distance Of Load Wheel With One Meter Lifting	m	33.3	41.5	55.6	72.6	111.2	163.4	326.8	326.8×2	490.2×2	898.7×2
Effort Required To Lift Rated Load	N	200	320	360	365	385	435	435	435×2	435×2	435×2
Running Test Load	KN	6.13	12.25	18.38	24.5	36.75	61.25	122.5	245	367.5	612.5
Dimensions (mm)	A	137.5	146.5	170	170	170	190.4	190	209	312	496
	B	137	162	183	194	220	288	384	625	691	958
	Hmin	270	40	399	414	512	636	743	890	1380	2578
	D	35	35.5	45	42.5	50	64	85	110	110	170
	K	28	26	32.5	32	37	46	50	81	81	125
Extra Weight Per Metre Of Extra Lift	kg	1.6	1.6	2.2	2.2	3.6	5.2	9.5	19	27.7	49.4
Net Weight	kg	8.7	10.8	15.2	18	24.3	38.7	78	163.6	220	1092

UQAB HOISTING & MARINE INDUSTRY

Factory Office- 106, New GIDC 52, Hector Exp. Area, Station Road, Umbergaon, Dist. Valsad- 396171 [+91 9324477380]

Head Office- Unit No 2913, 29th Floor, Marathon Futurex, A wing, NM Joshi Marg, Lower Parel, Mumbai, 400013 [+91 7203956549]



Refer to the UHMI Logo for Authentic V-tal Products

HIGH QUALITY
V-TAL[®]

Chain Pulley Block Standard Features

A Series Heavy Duty



Seal caged ball bearing on both side plates, smooth operation.

High strength steel frame.
Three-point support, the driving shaft is fixed by a simple support structure. The gear transmission is more stable and effective.



Friction disc and ratchet as replacement parts, more convenient.
Larger diameter of friction disc ensures reliable braking.

In Ratchet part uses maintenance-free bearing.
Its performance is close to rolling bearing and offers better corrosion resistance.



Hook made of alloy steel, passed heat treatment.
Includes cast safety latch, ensuring higher strength.

Opening style cover with curved edge
Makes hand chain replacement easy and enables smooth operation.

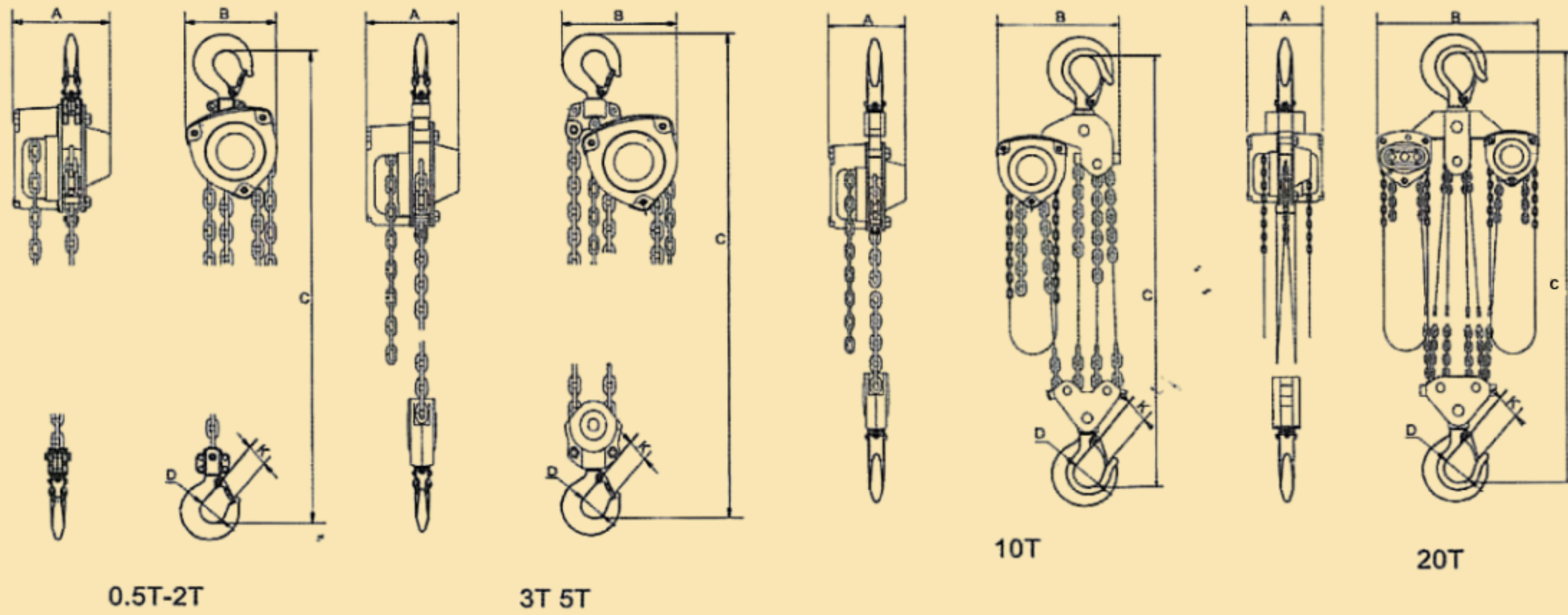


Ratchet cover fixed by three screws, effectively protects brake system.
Zinc side plates, roller guide, and cast stripper.



- Brake seat and driving shaft connected by involute splines,
- This improves brake effect and makes parts easier to disassemble.

TECHNICAL SPECIFICATIONS



Model		A-0.5	A-1	A-1.5	A-2	A-3	A-5	A-7.5	A-10	A-20	A-30
Capacity	(tons)	0.5	1	1.5	2	3	5	7.5	10	20	30
Load Chain	(mm)	5*15	6*18	8*24	8*24	10*30	10*30	10*30	10*30	10*30	10*30
Hand Chain	(mm)	5*25	5*25	5*25	5*25	5*25	5*25	5*25	5*25	5*25	5*25
No. of Falls		1	1	1	1	1	2	3	4	8	12
Moving Distance of Load Wheel with One Meter Lifting	(m)	36.4	51.7	63.3	63.3	125.5	166.5	250	333	333*2	333*2
Effort Required to Lift Rated Load	(N)	210	298	368	490	379	460	473	488	488*2	488*2
Dimensions (mm)	A	128	138.5	161	161	161	180	180	194	209	312
	B	122	148	175	175	232	258	329	384	625	691
	C	295	345	410	431	14	600	770	798	890	1380
	D	35	40	45	52	55	68	68	85	110	110
	K	22	26	29	35	39	43	43	58	81	81
Extra weight per meter of extra lift	Kg	1.4	1.6	2.2	2.2	3.6	5.2	7.3	9.5	19	27.7
Net weight	Kg	7	10.3	15.6	17.6	24.8	39.2	65.6	83.9	163.3	220

Distributor-



V-TAL[®]

Heavy Duty Lever Hoist offers the following exceptional features

Automatic free pulley requires no special release operation. Greatly improves work efficiency!

- 1. Automatic switching** to free pulley mode.
 - simply remove the load from the bottom hook and pull the chain to automatically switch to free pulley mode.
 - The winch automatically switches back to normal mode when a load is placed on the bottom hook.
 - Automatic switching greatly improves work efficiency.
- 2. Easy maintenance.**
 - The free pulley mechanism has only a few parts, making disassembly and repair a quick and easy process.
- 3. Lock Nut.**
 - Only Lever Block in India with special Lock Nut Technology against slipping to prevent accidents.
- 4. Locked chain** release mechanism.
 - If the chain locks due to an impacting load, simply move the lever by hand to release the chain.
- 5. Knobbed hook.**
 - The hook is equipped with an anti-slip knob. Even if the hook is stretched slightly. The chain catches on the anti-slip knob to prevent it from slipping off the hook, ensuring safe operation.



Compact 250kgs

HEAVY DUTY LEVER HOIST



Refer to the UHMI Logo for Authentic V-tal Products

HIGH QUALITY
V-TAL®

Heavy Duty Lever Hoist Standard Features

Automatic free pulley requires no special release operation. Greatly improves work efficiency!



GERMANY SAFETY CERTIFIED



GERMAN
Certified

www.tuv.com

ID 1111231630



1. Automatic switching to free pulley mode.
 - simply remove the load from the bottom hook and pull the chain to automatically switch to free pulley mode.
 - The winch automatically switches back to normal mode when a load is placed on the bottom hook.
 - Automatic switching greatly improves work efficiency.
2. Easy maintenance.
 - The free pulley mechanism has only a few parts, making disassembly and repair a quick and easy process.
3. Lock Nut.
 - Only Lever Block in India with special Lock Nut Technology against slipping to prevent accidents.
4. Locked chain release mechanism.
 - If the chain locks due to an impacting load, simply move the lever by hand to release the chain.
5. Knobbed hook.
 - The hook is equipped with an anti-slip knob. Even if the hook is stretched slightly. The chain catches on the anti-slip knob to prevent it from slipping off the hook, ensuring safe operation.

What is TUV certificate?

A TUV certification means a sampling of the product has been tested for safety and found to meet the 3 minimum requirements of the German Equipment and Product Safety Act. GS is an acronym for Geprüfte Sicherheit (meaning "tested for safety" or "certified for safety").

Our Certificates





V-TAL[®]

“The quality of expectations determines the quality of our action”



Heavy Casting Pump



PU Red Wheel



Nylon White Wheel



Heavy Metal Wheel

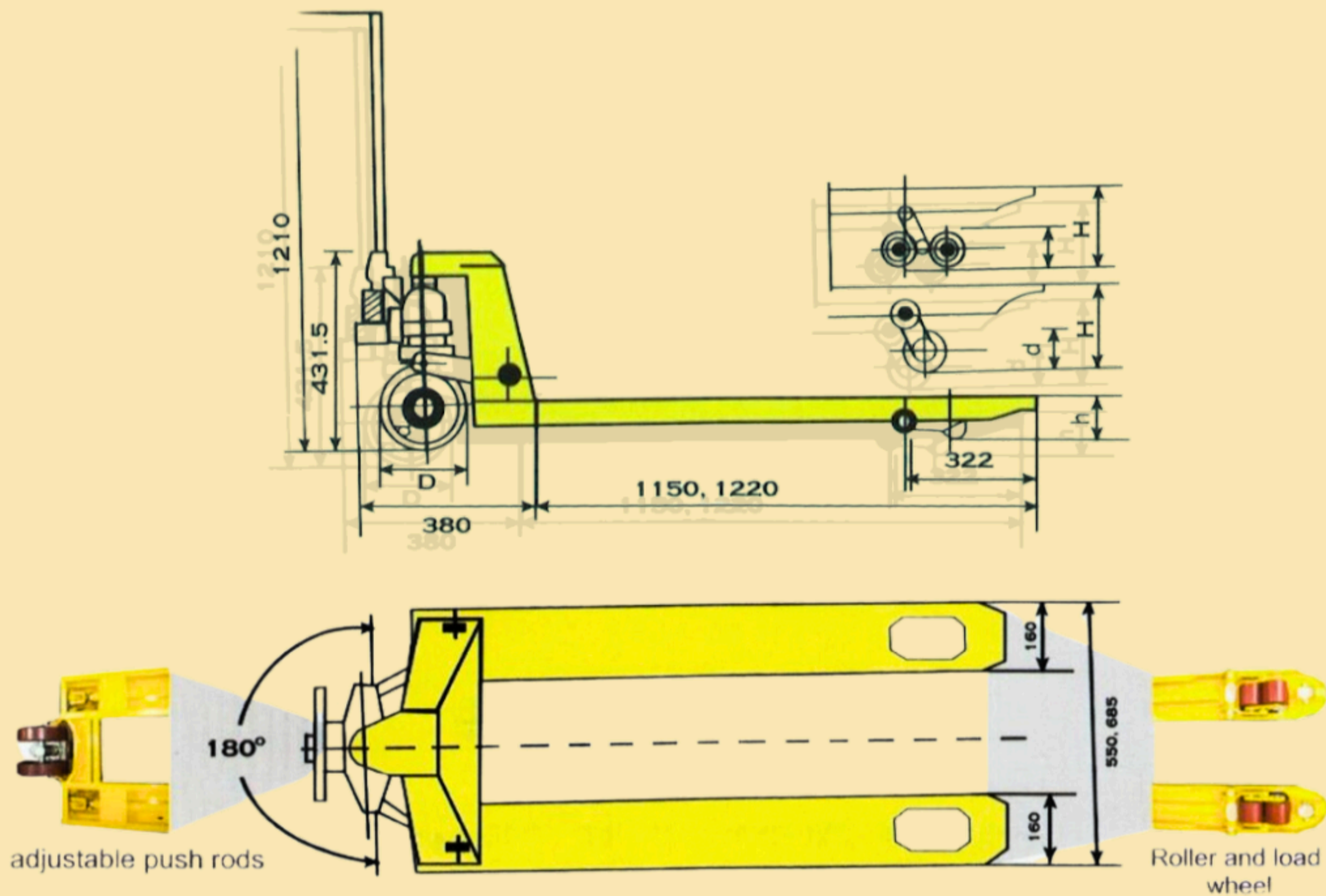


- High reliability and long service life of 5 years.
- Double lifting speed when loads under 600kg, which turns back to regular speed when above it.
- Impact free lifting ensures safety of cargo loading.
- The lifting system is equipped with overloading protection valve to ensure the safe operation.
- The utilized structural design guarantees the convenience of assembling and disassembling.
- Light-weight fork frame, made from high rigidity steel plate.
- Compact appearance, complete rocker arm, ensure the whole truck evenly pressed.
- There is a finger hole in the connection of handle and pump, easy to assemble.

**HEAVY DUTY
HAND PALLET TRUCK**

Features:

- * *Three position control handle - lift, neutral & lower.*
- * *Reliable hydraulic pump.*
- * *Available with nylon and metal wheels rollers.*



Load wheel (d):80 X 70mm

Max. Lifting height (H) : 200mm

Steering Wheel (D) : 200X50mm

Min. lowering height (h) : 85mm

TECHNICAL SPECIFICATIONS

Item/Type		UQ20		UQ25		UQ30		UQ50	
Capacity (kg)		2000		2500		3000		5000	
Min. fork height(mm)		85	75	85	75	85	75	88	78
Max. fork height(mm)		200	190	200	190	200	190	205	195
Steering wheel (mm)		200X50	180X50	200X50	180X50	200X50	180X50	200X180	
Load roller	Single	82X93	74X93	82X93	74X93	82X93	74X93	85X80	
	mm	Tandem	82X70	74X70	82X70	74X70	82X70	74X70	75X80
Size of fork(mm)		160X50				160X60		180X50	
Width overall forks(mm)		450/520/550/685							
Fork length(mm)		800/900/1000/1067/1100/1150/1220							

UQAB HOISTING & MARINE INDUSTRY

Head Office- Unit No 2913, 29th Floor, Marathon Futurex, A wing, NM Joshi Marg, Lower Parel, Mumbai, 400013 [+91 9324477380]

Factory Office- 106. New GIDC 52, Hector Exp. Area, Station Road, Umbergaon, Dist. Valsad- 396171 [+91 7203956549]

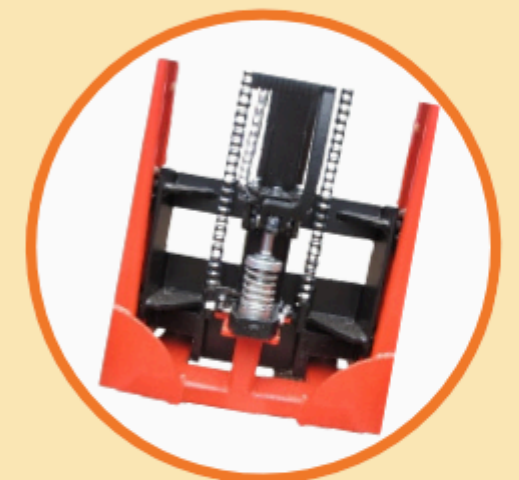
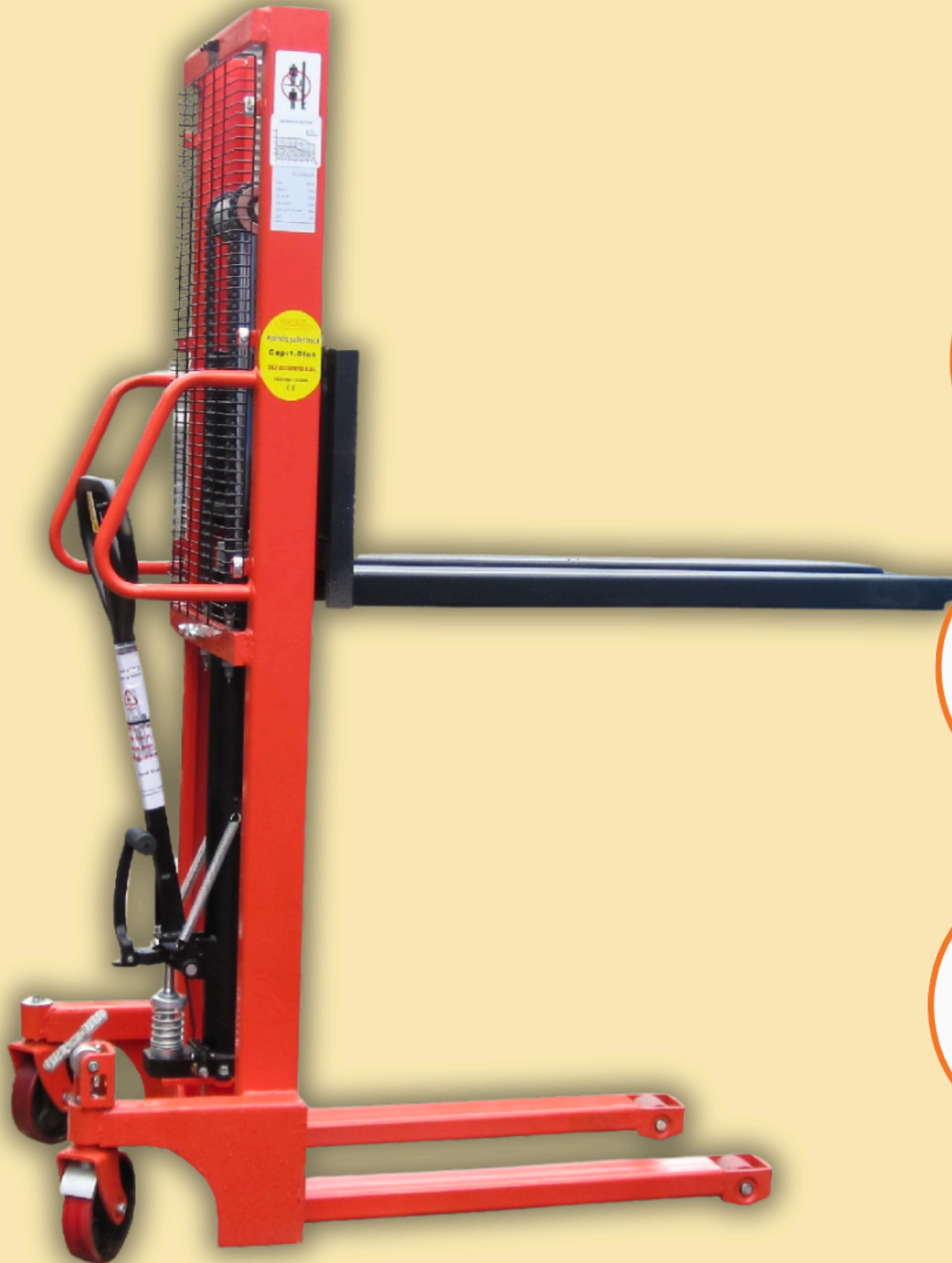


Refer to the UHMI Logo
for Authentic V-tal
Products

HIGH QUALITY
V-TAL®

HYDRAULIC HAND STACKER

Hydraulic Stacker is fabricated using high quality raw material and is offered at industry leading prices. These hydraulic stacker have a capacity of 500 and 1000 kg and are widely used in engineering industries for handling of heavy Jobs, plates on various machines like CNC, VMC lathe, milling and shaping machine.





V-TAL[®]

Applications

- Used in Press Shops for loading & unloading of heavy die punches.
- Used in plastic & rubber industries for loading of moulds.
- Used in stores for stacking of materials, trays, boxes.
- Used in transport godowns warehouses for material.
- Loading & unloading in trucks.

Technical Specification

Main parameter	Unite	MS-E1016
Rated hoisting mass Q	kg	1000
Center of load C		400
Maximum lift height H		1600
Minimum fork height h	mm	85
Length of fork L		900
Maximum width of fork E		650
Lifting speed with loading		= 17.5
Lifting speed without loading	mm/time	=
Lowering speed		Controllable
Dimensions	Overall length A	1420
	Overall width B	723
	Overall height F	1985
Wheel	Outer diameter of front wheel	mm 75
	Outer diameter of rear wheel	180
Minimum clearance from ground X =		25
Extreme radius of turn R =		1590
Dead weight	kg	185

Distributor-



HIGH QUALITY

V-TAL®

Refer to the UHMI Logo
for Authentic V-tal
Products

Heavy Duty

**PULLING LIFTING
MACHINE**

-UQ MODEL

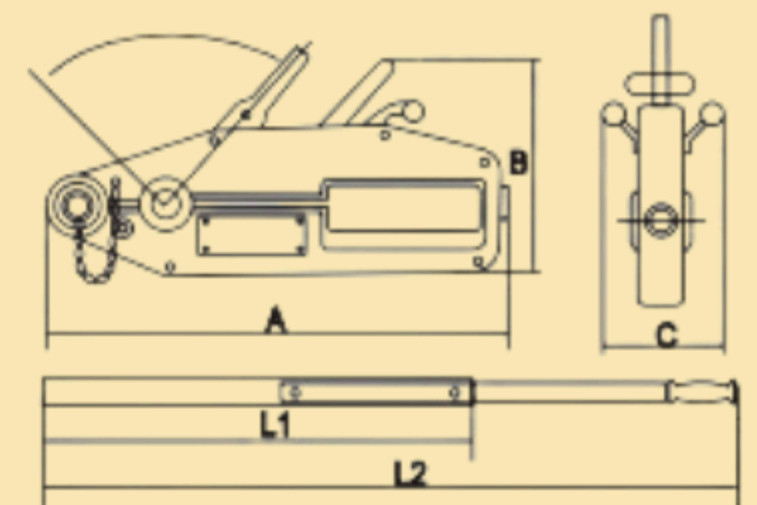


PULLING LIFTING MACHINE

-UQ MODEL

FEATURES

- Portable lightweight aluminum construction is durable and resists corrosion.
- ANY length of commercially available 6x19s IWRC wire rope can be used for unlimited reach.
- Smooth operation with precise control.
- Telescoping handle allows the operator to optimize pull and stroke.
- Long service life and low maintenance requiring only periodic cleaning, lubrication, and inspection.
- Overload protection is provided by a shear pin that is easily replaced.
- Wire rope may be ordered separately.
- Four capacity options up to 5.4T are offered.



SPECIFICATIONS

Item No.	RATED CAPACITY [KG]	Rated Forward Handpower [mm]	Rated Forward Travel [mm]	Rope Diameter [mm]	Wire Rope Safety Factor Load Capacity	Safety Factor & Static Load Capacity	Max. Travelling Load [kg]	Max Overall Size [mm]							L1 [cm]	L2 [cm]
								A	B	C	D	E	F	G		
UQ0.8T	800	343	>=52	8.3	5	5	1200	44	60	101	420	430	172	215	80	80
UQ1.6T	1600	400	>=55	11	5	5	2400	56	68	120	545	556	200	300	80	120
UQ3.2T	3200	441	>=28	16	5	5	4800	70	98	150	645	666	227	315	80	120
UQ5.4T	5400	745	>=30	20	5	5	8000	90	160	200	935	940	300	410	88	135

Distributor-



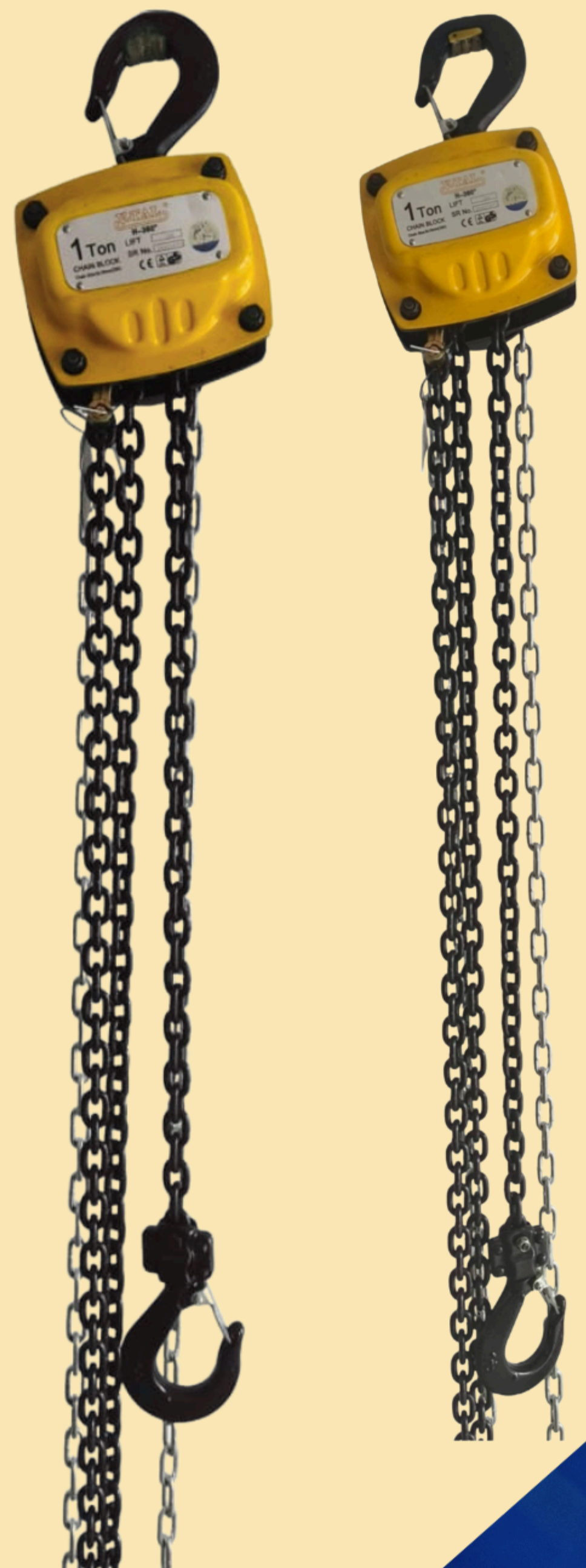
HIGH QUALITY

V-TAL®

Chain Pulley Block Standard Features

360° Series Heavy Duty

A 360-degree chain pulley block (also known as a 360° rotating chain block or chain hoist) is a manual lifting device used to lift, lower, and move heavy loads vertically. The "360-degree" part refers to the rotating hand chain wheel or swivel hook, which allows for full rotational movement, offering enhanced flexibility and control during lifting operations.

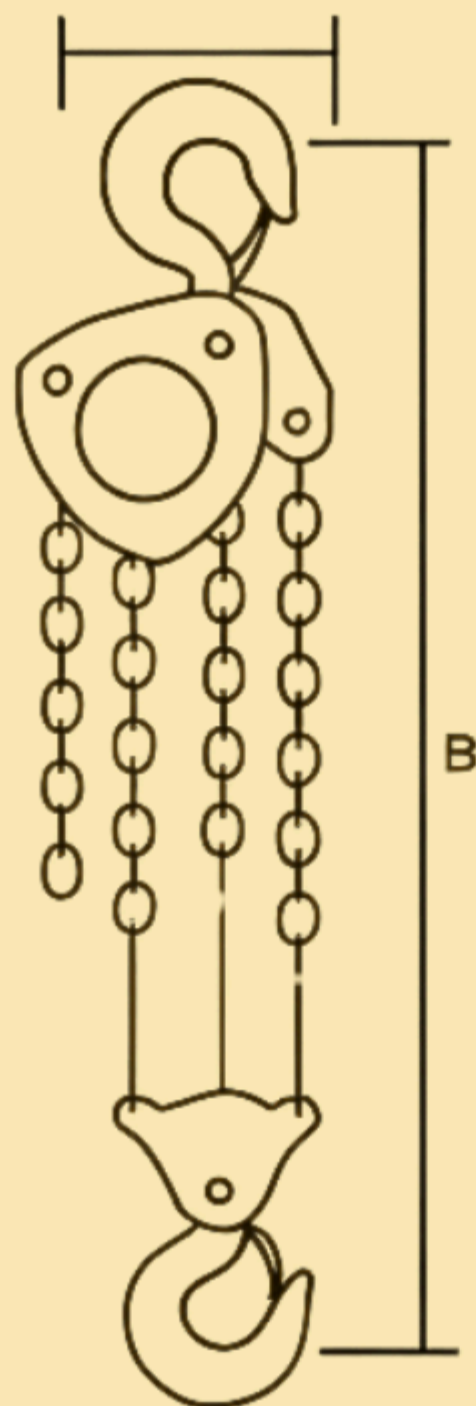
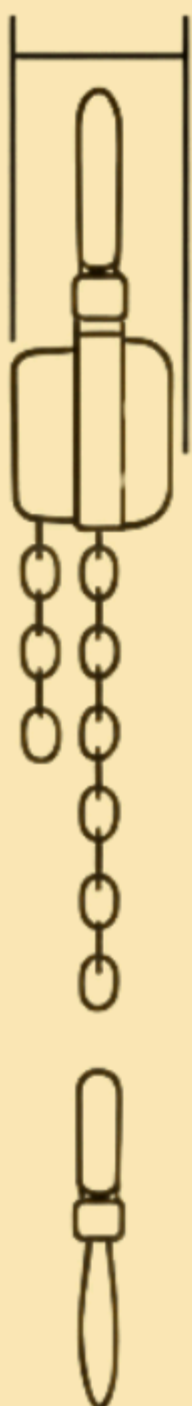


Refer to the UHMI Logo
for Authentic V-tal
Products

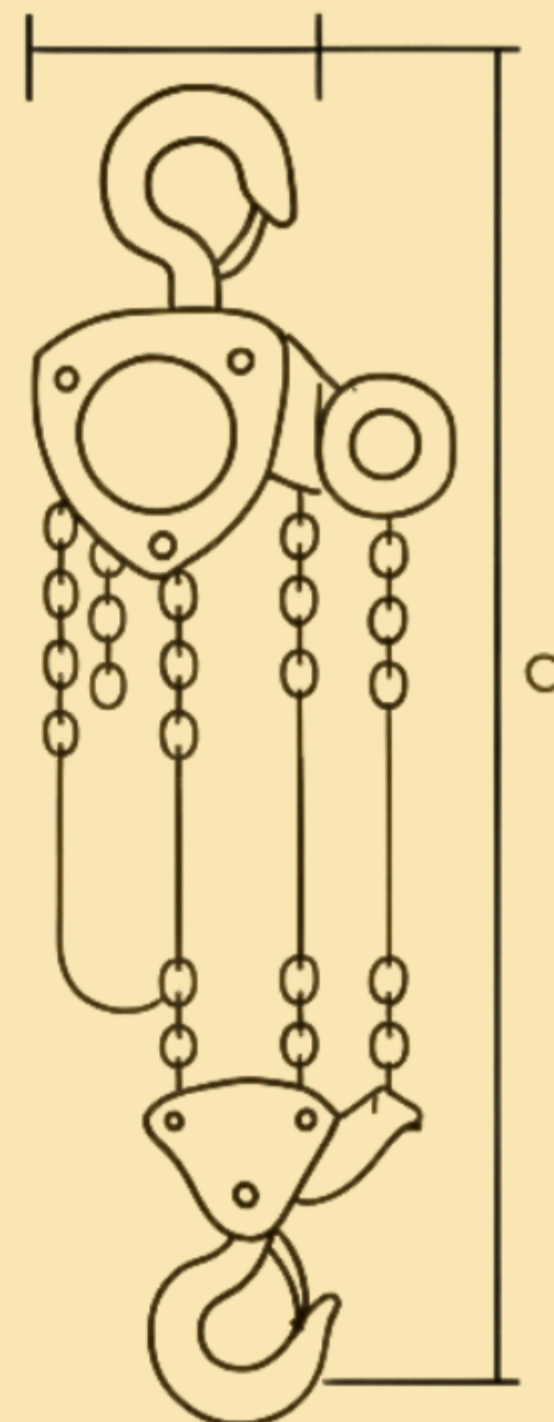
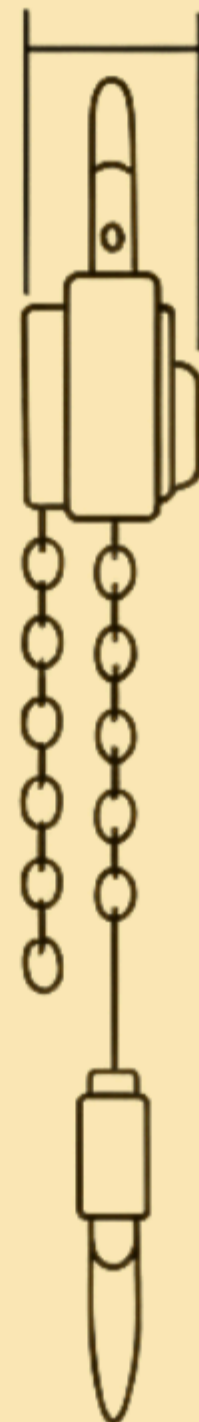


V-TAL[®]

Model	Product bearing	product packaging	Chain material	Stell material	Rated load kg	Chain number	Chain speciication d'p	hand ziooer line per lift meter m	hand zipeer rated load pullinf force daN	3m lifting height net weight { kg}
1000	1-30Tons can be determined	Standard wooden box packing	National standard G80 manganese steel chain bar	Alloy Steel	1000	1	6*18	49	30	13
2000					1	8*24	71	32	20	
3000					1	10*30	87	38	29	
5000					2	10*30	174	34	38	
10000					4	10*30	261	44	71	
20000					8	10*30	522	2*44	196	



10T



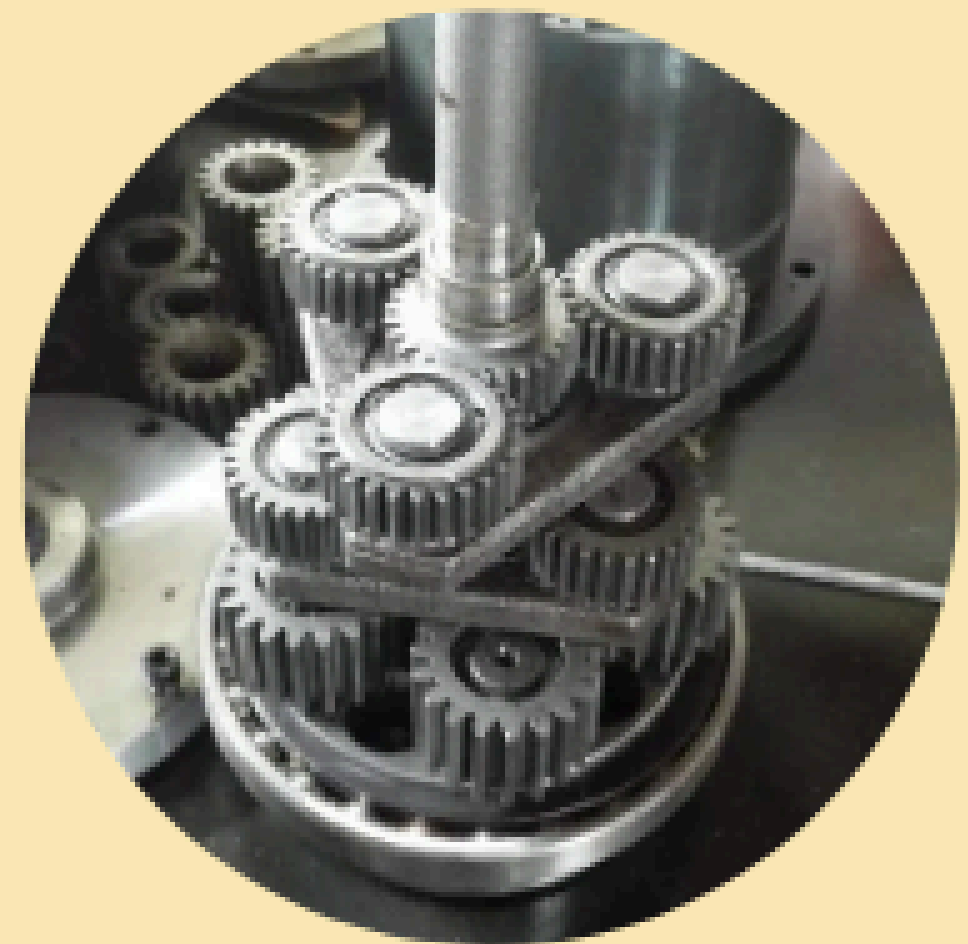
20T

Refer to the UHMI Logo
for Authentic V-tal
Products



HIGH QUALITY
V-TAL®

SHA7 Mono-Rail Wire Rope Hoist

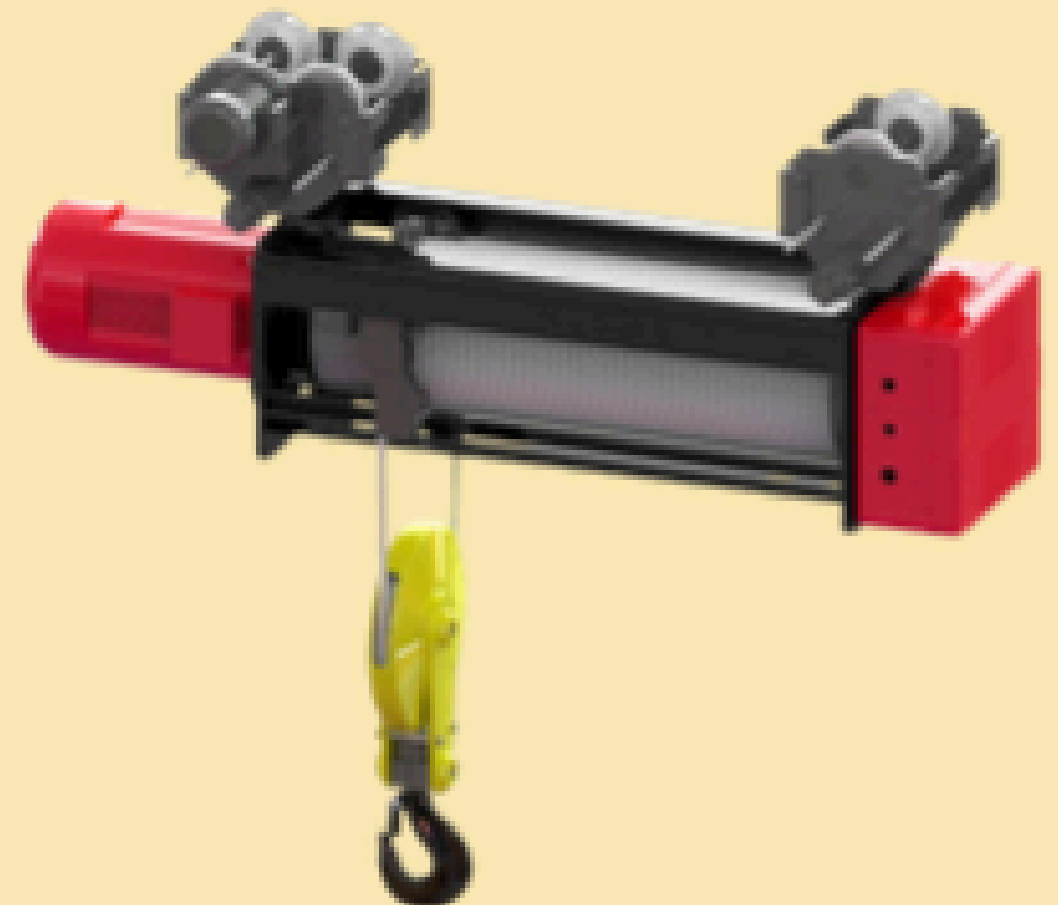
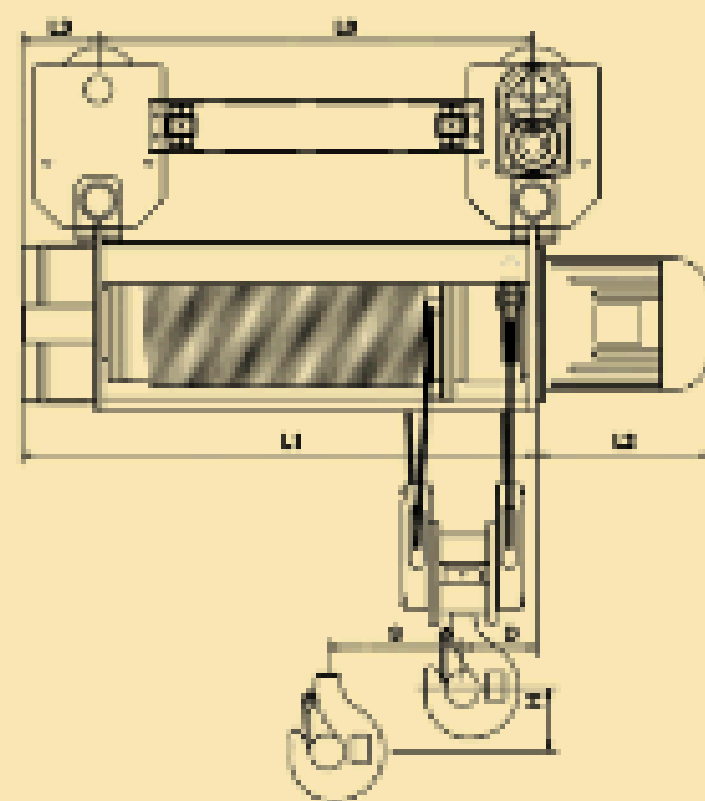
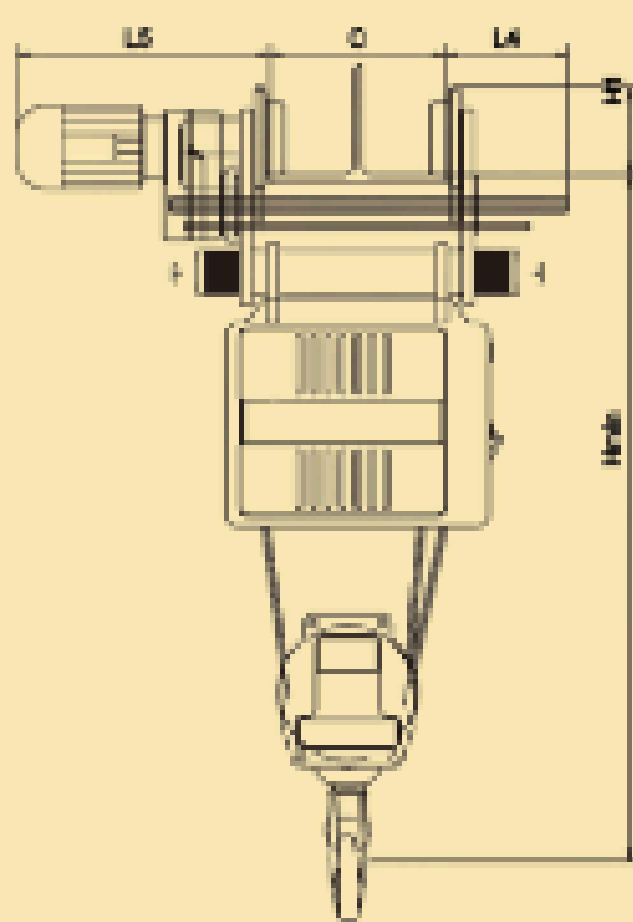


German Design
Planetary Gear Box

SHA7 mono-rail wire rope hoist has the advantage of light weight, small size, compact structure, smooth operation etc. It can be used directly on the straight, curved or circle overhead track, it also can be used on the I-beam tracked of electric single girder, manual single-beam bridge, suspension, jib crane, gantry cranes.

The excellent integrated drive unit technology combines the motor, gearbox, and brake into a compact system. The enclosed gear drive ensures smooth operation, long service life, and reliable performance.

The precision planetary gearbox features light weight, compact size, a wide transmission ratio range, high efficiency, smooth operation, and low noise. It is suitable for mechanical processing workshops, metallurgical plant auxiliary transportation, assembly workshops, maintenance and loading workshops, warehouses, stockyards, power plants, and more.



Style No	Capacity (t)	Class	Rope Reeling	Lifting Speed m/min	Hoist motor kw	Gear housing Speed m/min	Gear housing motor kw	L2 (mm)		Match Girder C (mm)		L5	L4	H1	Hmin	L3	D	S	Lifting height (H)							Size			
								Single beam	Double beam	I beam	H girder								6m	9m	12m	15m	18m	24m	30m				
SHA7-4B	1.6	M4	2/1	10 10/3.2	3	20	0.37	300	485	110-180	180-420	374	318	121	1118	147	164	0.013H	/	427	573	/	729	886	1043	/	/	/	L0
	3	M4	4/1	5 5/1.6	3 3/1	20 20/6.7	0.37	300	485	110-180	180-420	374	318	121	1281	147	126	0.013H	572	729	886	1043	/	/	/	/	/	L1	
SHA7-5B	2.5	M4	2/1	18 18/3.4	4.5	20	0.37	322	548	110-180	180-420	374	318	121	1235	159	214	0.0158H	/	569	713	/	899	1043	1271	/	/	/	L1
	5	M4	4/1	5 5/1.2	4.5 4.5/1.1	20 20/6.7	0.55	322	548	130-180	180-420	432	318	151	1325	159	154	0.0158H	713	899	713	899	/	/	/	/	/	L1	
SHA7-6B	5	M4	2/1	8 8/2	7.5	28	0.55	398	575	130-180	180-420	432	318	151	1391	192	259	0.0191H	/	844	839	/	1048	1207	1526	/	/	/	L1
	10	M4	4/1	4 4/1	7.5 7.5/2.8	28 28/6.7	1.1	398	575	140-180	180-450	437	305	179	1494	192	182	0.0191H	/	844	1029	/	1268	1497	1726	/	/	/	L1
																				838	1028	1297	1526	/	/	/	/	L1	
																				929	1268	1497	1726	/	/	/	/	L0	

93244 77380 / 7400112752

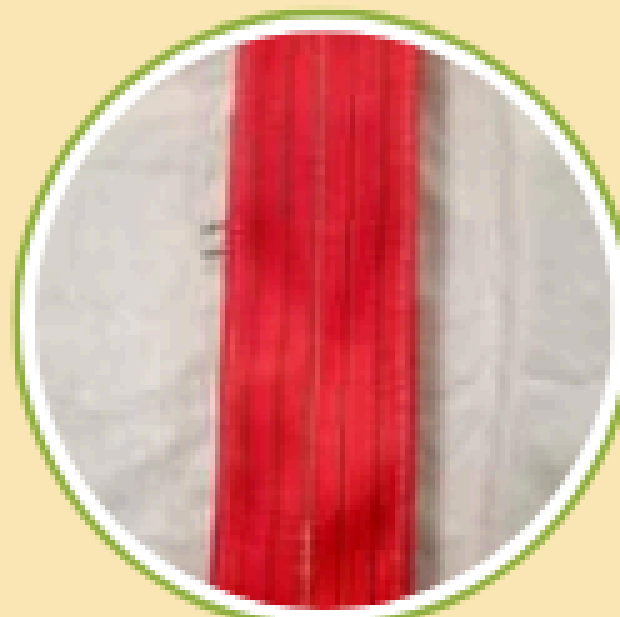
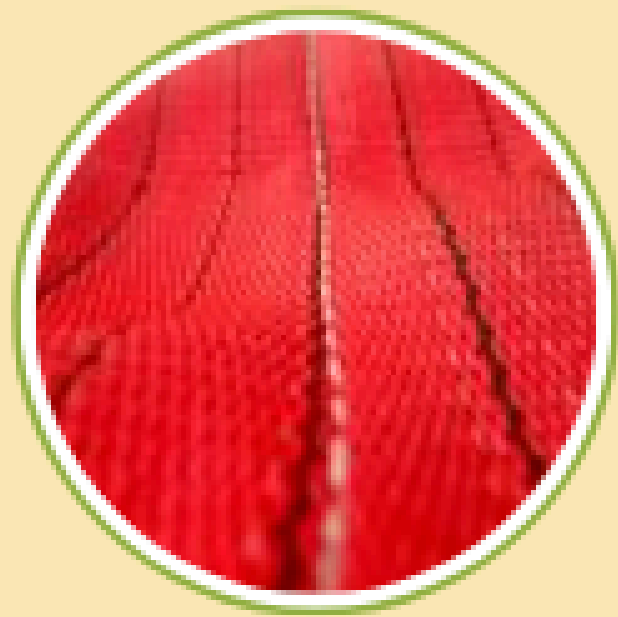
Refer to the UHMI Logo
for Authentic V-tal
Products



HIGH QUALITY



**We also make
ENDLESS ROUND SLINGS**








Duplex webbing lifting slings are made from high tenacity polyester webbing, colour coded for ease of identification and are manufactured as per EN 1492-1:2000.

These slings are most popular type and suitable for general & heavy industrial lifting, since these are as strong as steel yet light weight and offer reduced risk of injury to hand or damage to a load with painted or precised machined surface. e.g. for lifting pipes with coating, stainless steel items etc.

Features

- Available in Duplex, Triplex & Quadruple plies
- Available in Safety factor – 5:1, 6:1 & 7:1
- Available in 6 & 8 plies also
- Colour coded for identification
- Available from 1 ton upto 50 ton
- Best option for lifting coated, polished & smooth cargo

WLL TABLE – POLYESTER WEBBING SLINGS

Colour	Vertical Straight Lift				
		Choker	Basket	Basket (7°-45°)	Basket (45°-60°)
Violet	1000 Kg.	800 Kg.	2000 Kg.	1400 Kg.	1000 Kg.
Green	2000 Kg.	1600 Kg.	4000 Kg.	2800 Kg.	2000 Kg.
Yellow	3000 Kg.	2400 Kg.	6000 Kg.	4200 Kg.	3000 Kg.
Grey	4000 Kg.	3200 Kg.	8000 Kg.	5600 Kg.	4000 Kg.
Red	5000 Kg.	4000 Kg.	10000 Kg.	7000 Kg.	5000 Kg.
Brown	6000 Kg.	4800 Kg.	12000 Kg.	8400 Kg.	6000 Kg.
Blue	8000 Kg.	6400 Kg.	16000 Kg.	11200 Kg.	8000 Kg.
Orange	10000 Kg.	8000 Kg.	20000 Kg.	14000 Kg.	10000 Kg.
Orange	12000 Kg.	9000 Kg.	20000 Kg.	14000 Kg.	12000 Kg.
Orange	12000 Kg.	9600 Kg.	24000 Kg.	16800 Kg.	12000 Kg.

* WLL Kg. specifications mentioned in the chart are that of One Webbing Sling.





V-TAL[®]

PLAIN AND GEARED TROLLEY



Plain Trolley



M- Series



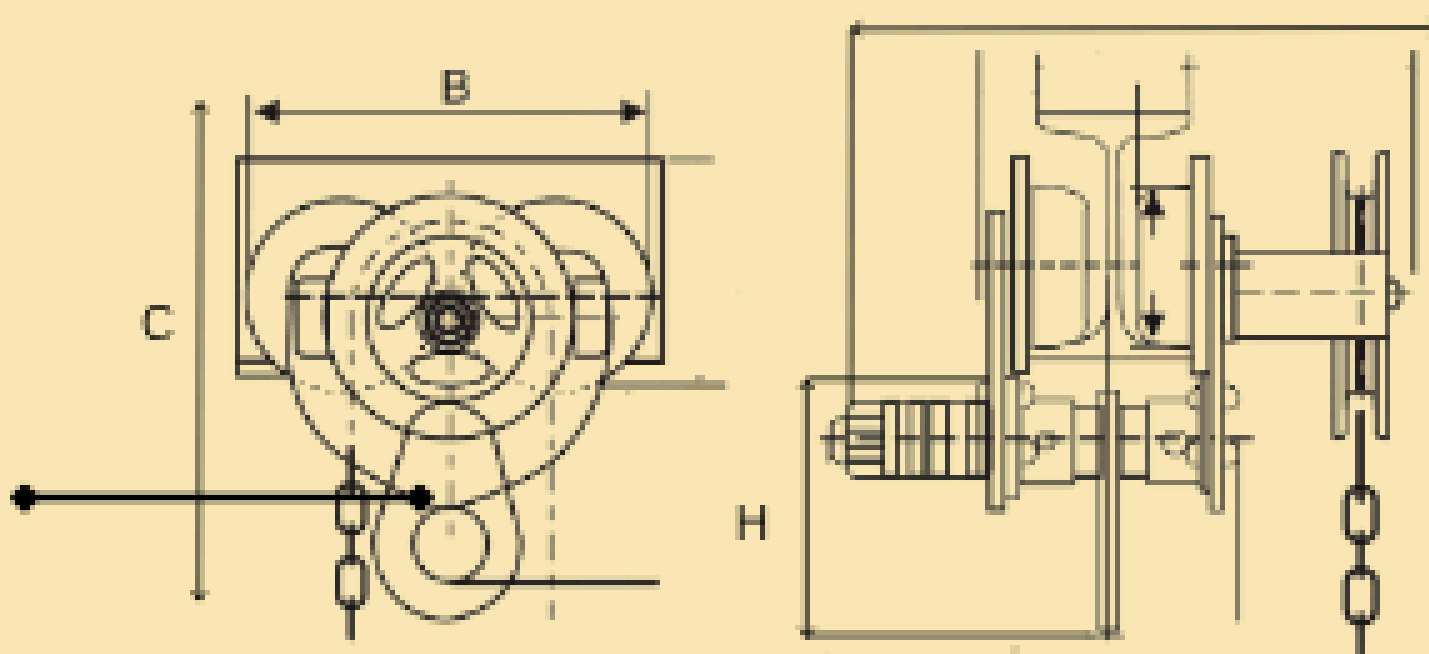
A-Series



V-TAL[®]

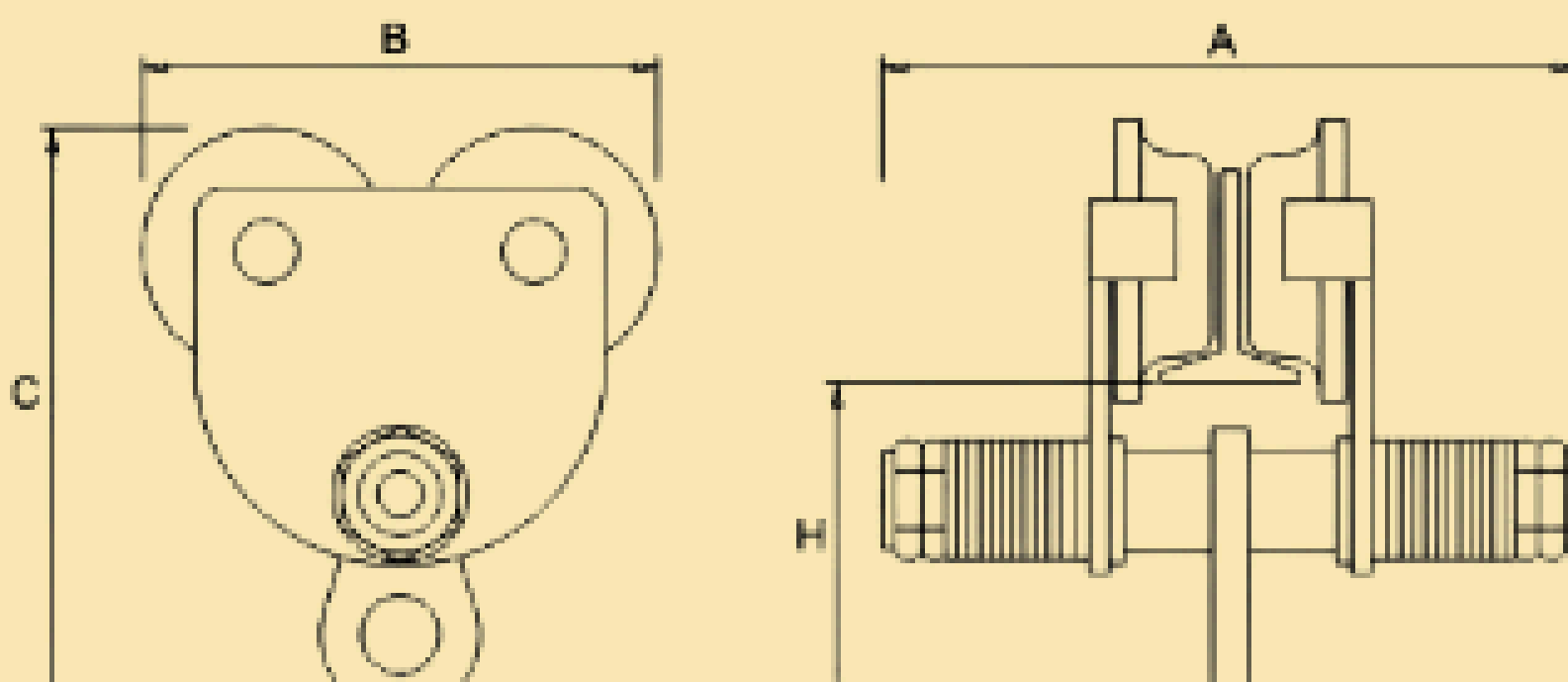
GEARED TROLLEY

Capacity	I-Beam Width (mm)	N.W. (kg)	A	B	C	H
1t	75-125	15	277	206	222	123.5
2t	100-150	18	311	240	267	132.5
3t	100-150	35	358	282	320	175
5t	125-175	54	401	327	391.5	190
10t	125-180	100	442	389	490	275



PLAIN TROLLEY

Capacity	I-Beam Width (mm)	N.W. (kg)	A	B	C	H
0.5t	75-125	5	208	170	190	106.5
1t	75-125	8	220	206	222	123.5
2t	100-150	13	260	240	267	132.5
3t	100-150	25	285	282	320	175
5t	125-175	44	338	327	391.5	190



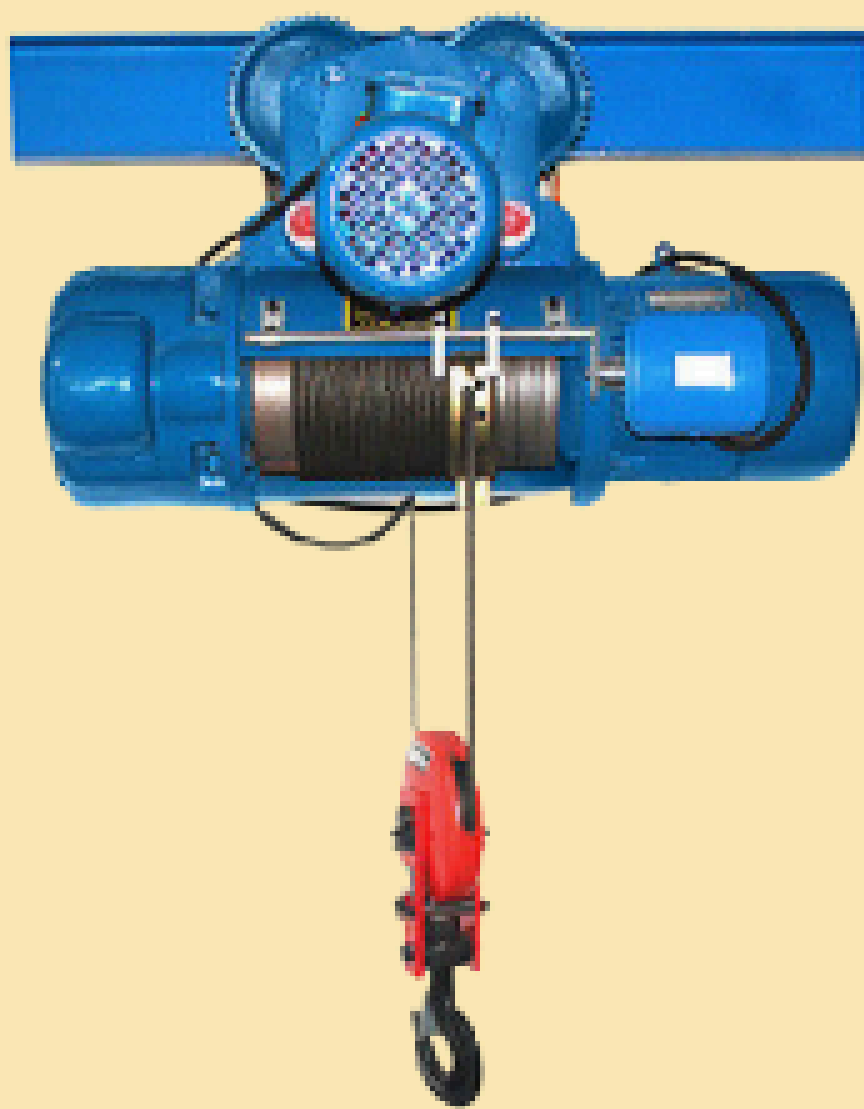
Refer to the UHMI Logo
for Authentic V-tal
Products



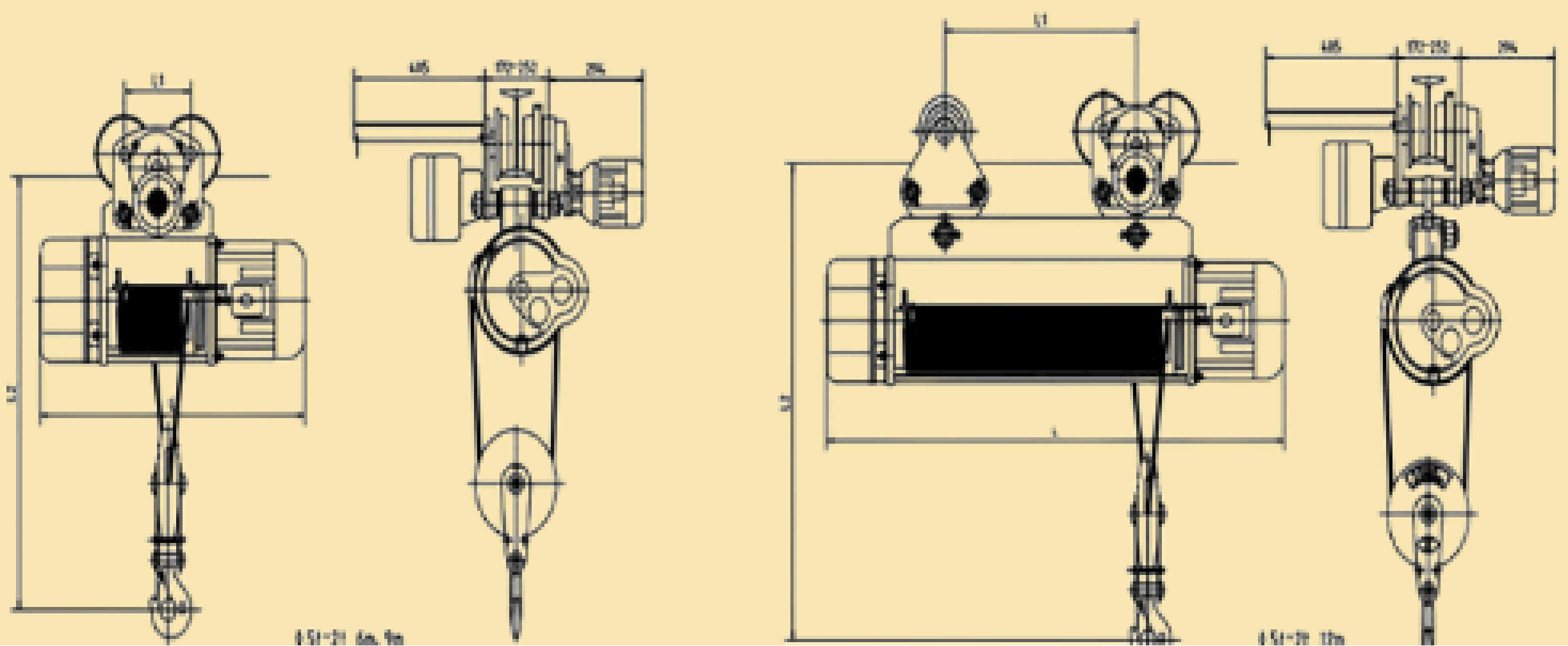
HIGH QUALITY
V-TAL[®]

Heavy Duty **ELECTRIC HOIST**

ELECTRIC WIRE ROPE HOIST (Model No- CD-1)



These Electric Wire Rope Hoists are widely known for their trouble free operation and sturdy design. The hoists are available with fix suspension, geared trolley as well as power trolley. These products conform to the ISO specifications, which makes them highly reliable. In addition to the standard range, these products can also be deigned as per the specifications provided by the clients.

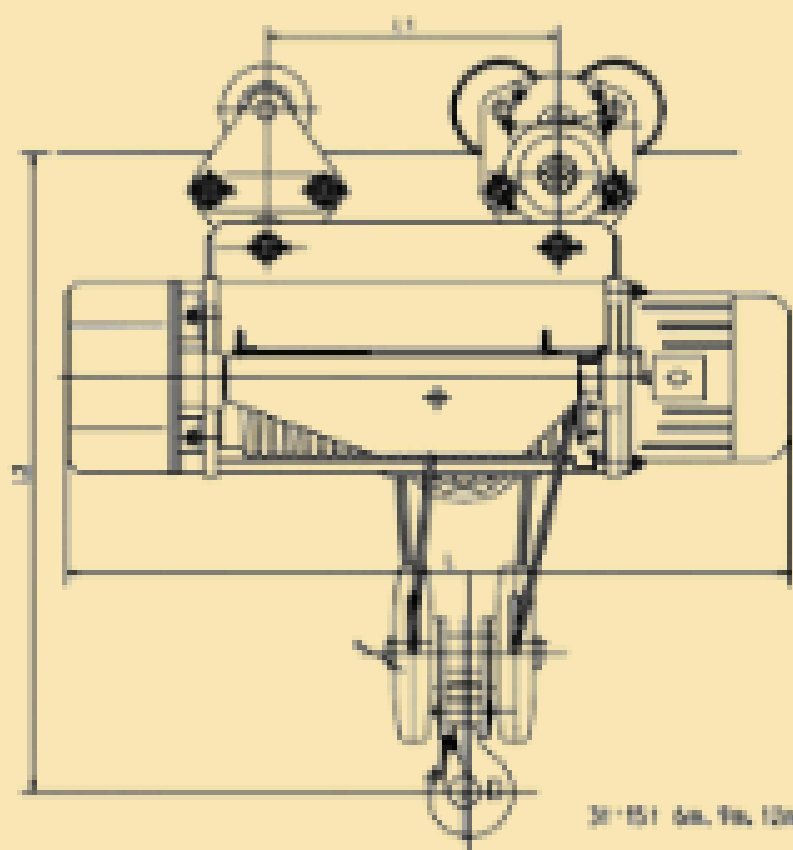




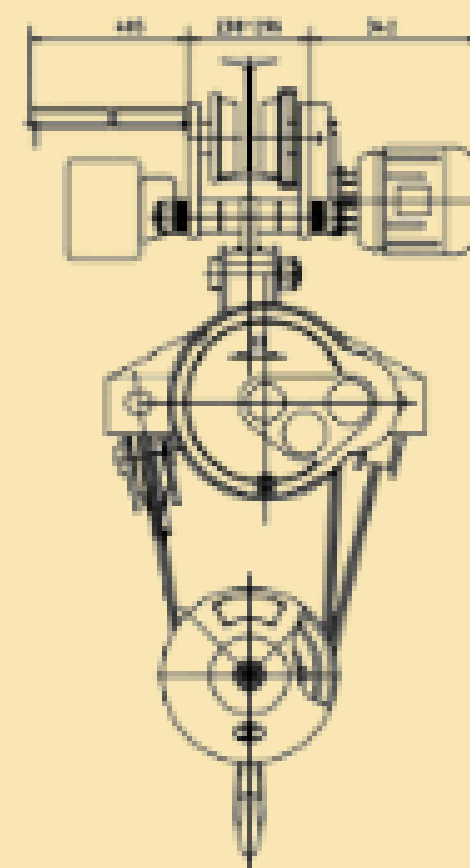
V-TAL[®]

SPECIFICATIONS OF ELECTRIC WIRE ROPE HOIST 0.5t-2t 6m, 9m & 0.5t-2t 12m

Capacity (t)	Working Group	HOL (m)	Lifting Speed (m/min)	Lifting Motor Model	Traveling Speed (m/min)	Traveling Motor Model	Voltage	L (mm)	L1 (mm)	L2 (mm)
0.5	M3	6 9 12	8	ZD1 21-4/0.8Kw	20	ZDY 11-4/0.2Kw	380~415V ; 50Hz	630 702 774	185 185 185	765
1	M3	6 9 12	4	ZD1 22-4/1.5Kw	20	ZDY 11-4/0.2Kw	380~415V ; 50Hz	771 869 969	185 195 316	- 825 925
2	M3	6 9 12	8	ZD1 31-4/3Kw	20	ZDY 12-4/0.4Kw	380~415V ; 50Hz	831 931 1031	205 205 290	- 889 1004

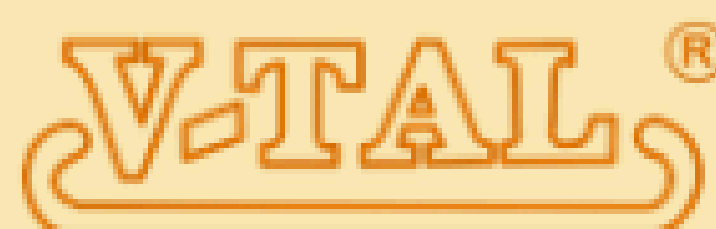


3T-15T 6m, 9m, 12m

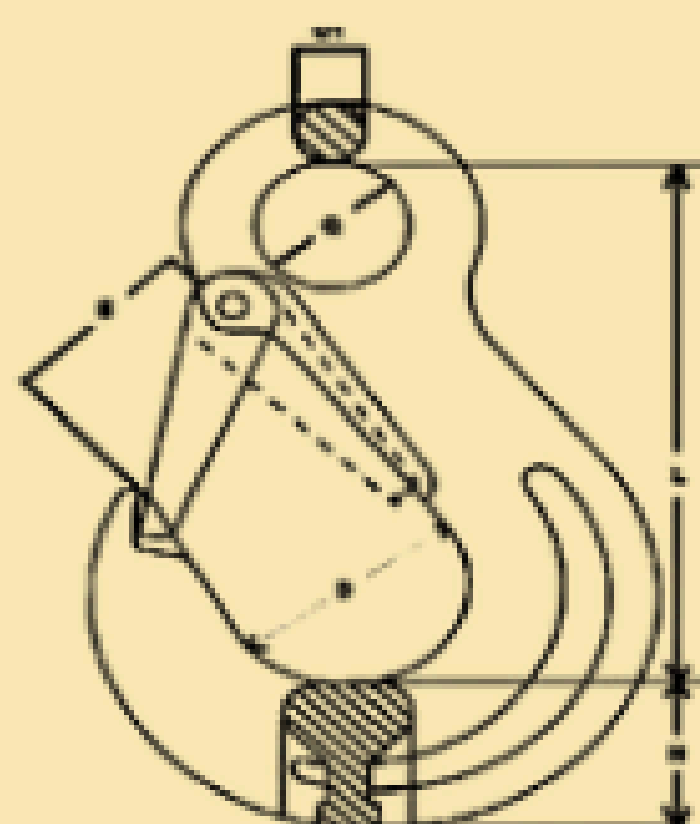


SPECIFICATIONS OF ELECTRIC WIRE ROPE HOIST 3t-15t 6m, 9m, 12m

Capacity (t)	Working group	HOL (m)	Lifting speed (m/min)	Lifting motor Model	Travelling speed (m/min)	Travelling Motor Model	DIMENSIONS (mm)						Voltage	
							L			L1				L2
3	M3	6 9 12	4	ZD132-44.5 Kw	20	ZDY 12-40.4 Kw	1183	1399	1605	336	450	656	1061	380~415v; 50Hz
5	M3	6 9 12	4	ZD141-47.5 Kw	20	ZDY21-40.8 Kw	1249	1459	1669	375	585	795	1275	380~415v; 50Hz
10	M3	6 9 12	3.5	ZD151-413	20	ZDY21-40.8 Kw	1630	1630	1811	514	514	695	1430	380~415v; 50Hz

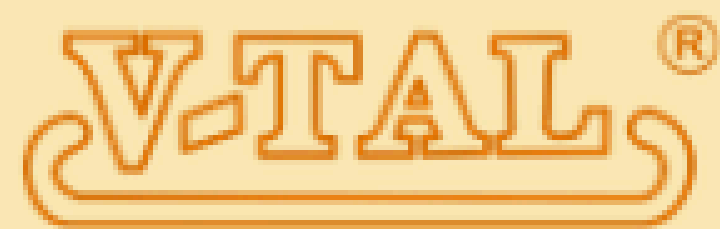


G80 CLEVIS SLING HOOK

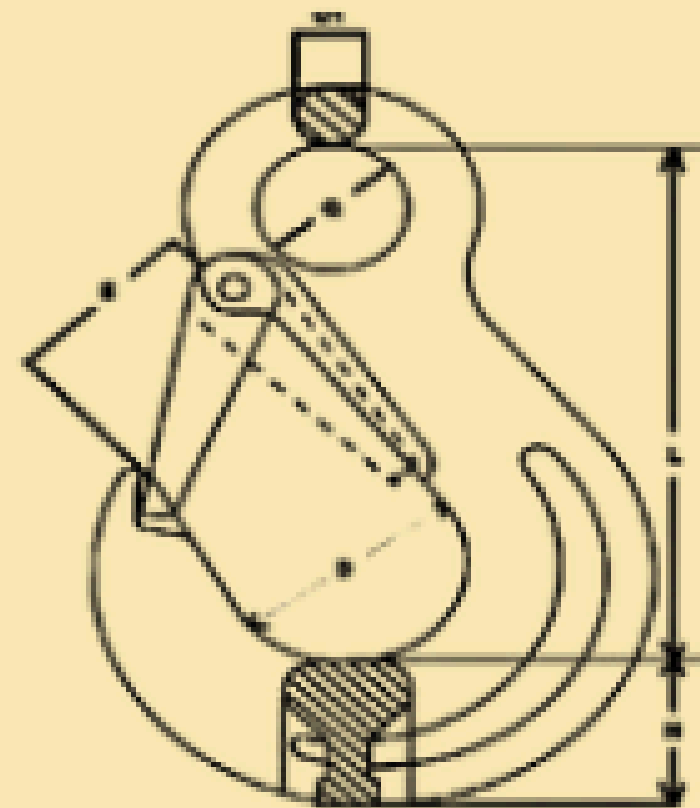


Chain Size (mm)	W.L.L	Item Code	E	D	L	H	Q1	Q	Weight
6	1.12	EHSL0801	20	30	84.4	21.3	10.3	20	0.26
7, 8	2	EHSL0802	25	38	103	26	12	24.7	0.5
10	3.15	EHSL0803	32	44	122	34.5	16.5	34	3.15
13	5.3	EHSL0805	41	55	154.5	42.2	19.5	42	2.24
16	8	EHSL0808	44.2	64.7	177	47	24	46.2	3.23
18, 20	12.5	EHSL0812	52.2	87	218	55	27.5	58.85	6.6
22	15	EHSL0815	74	95	236	79	31.2	62.6	9.28
26	21.2	EHSL0822	84.8	112	271	84	34.9	62.5	13.8
32	31.5	EHSL0831	103.6	138	345	90	36.3	85.7	23

- Forged super alloy steel – quenched and tempered
- 100% proof load tested at 2.5 times working load limit
- 100% magnaflux crack detection
- Ultimate break load tested
- Fatigue tested at 1.5 times working load limit for 20,000 cycles
- 100% eddy-current flaw detection tested



G80 CLEVIS SLING HOOK

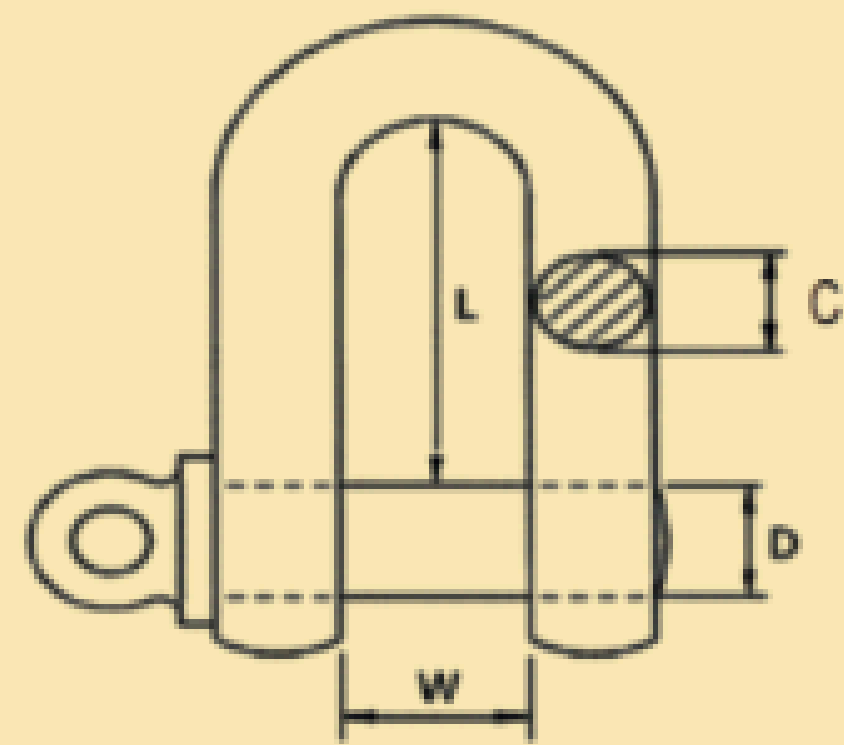


Chain Size (mm)	W.L.L	Item Code	E	D	L	H	Q1	Q	Weight
6	1.12	EHSL0801	20	30	84.4	21.3	10.3	20	0.26
7, 8	2	EHSL0802	25	38	103	26	12	24.7	0.5
10	3.15	EHSL0803	32	44	122	34.5	16.5	34	3.15
13	5.3	EHSL0805	41	55	154.5	42.2	19.5	42	2.24
16	8	EHSL0808	44.2	64.7	177	47	24	46.2	3.23
18, 20	12.5	EHSL0812	52.2	87	218	55	27.5	58.85	6.6
22	15	EHSL0815	74	95	236	79	31.2	62.6	9.28
26	21.2	EHSL0822	84.8	112	271	84	34.9	62.5	13.8
32	31.5	EHSL0831	103.6	138	345	90	36.3	85.7	23

- Forged super alloy steel – quenched and tempered
- 100% proof load tested at 2.5 times working load limit
- 100% magnaflux crack detection
- Ultimate break load tested
- Fatigue tested at 1.5 times working load limit for 20,000 cycles
- 100% eddy-current flaw detection tested
- Suitable for EN818-8 Grade 80 chain



D-SACKLE (SP)

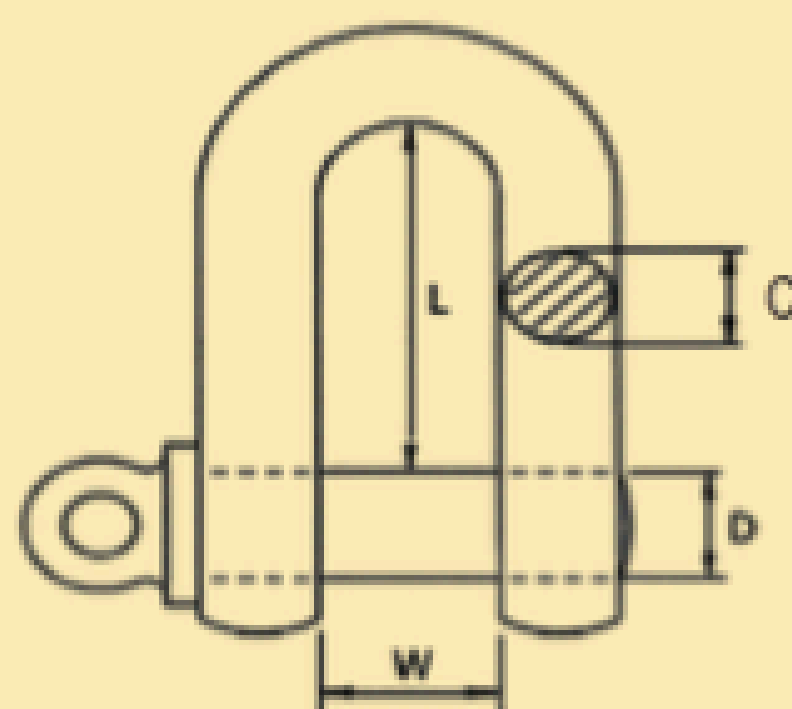
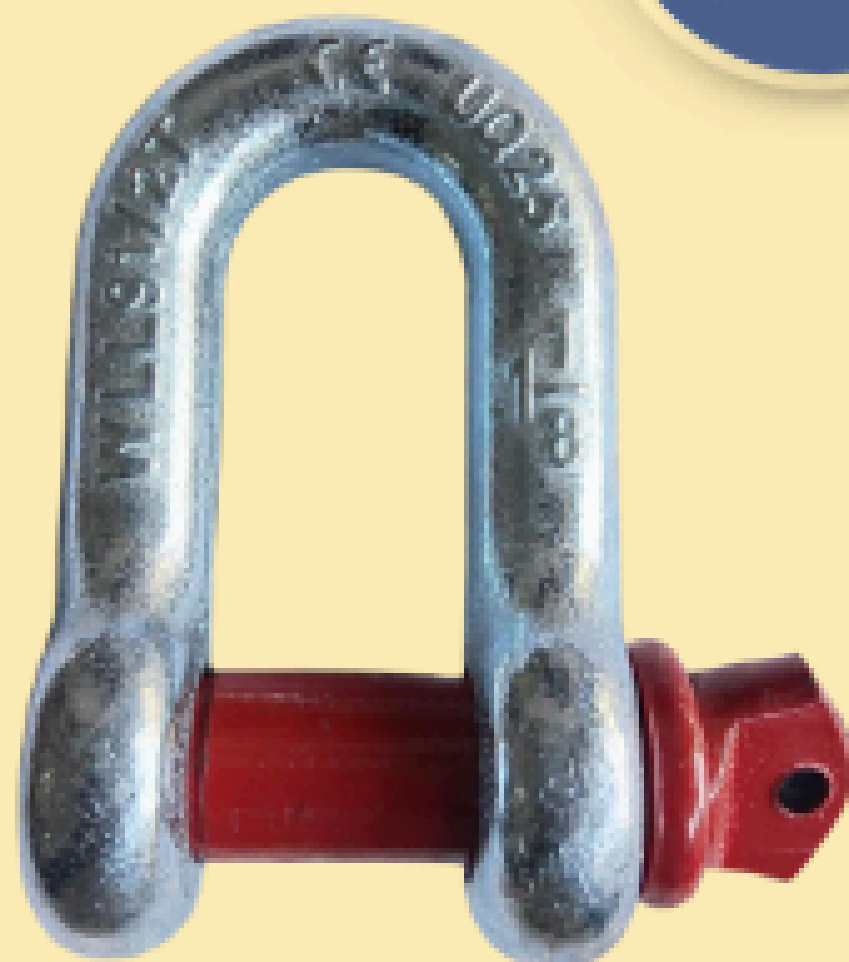


W.L.L	Item Code	Size (In)	C (Body)	D (Pin)	L (Inner Length)	W (Width)	Weight (KG)
0.3	DSSLS08003	3/16	5.5	6.3	21.58	9.3	0.025
0.5	DSSLS08005	1/4	6.5	8	22.7	12.2	0.04
0.75	DSSLS08007	5/16	8	9.6	26.16	12.6	0.08
1	DSSLS0801	3/8	10	11.05	30.23	16.2	0.13
1.5	DSSLS0815	7/16	11.05	12.8	36.6	18.13	0.18
2	DSSLS0820	1/2	13	16	39.7	20.3	0.3
3.25	DSSLS0825	5/8	16.5	20	50	26.5	0.58
4.75	DSSLS0805	3/4	19	22	64	31.7	0.97
6.5	DSSLS0806	7/8	22.4	25	70.5	37.6	1.41
8.5	DSSLS0808	1	25.3	28.2	80	44.4	2.01
9.5	DSSLS0810	1 1/8	28.5	32.5	92.2	47.6	2.97
12	DSSLS0812	1 1/4	31	35	97	50.5	4.08
13.5	DSSLS0813	1 3/8	35	38.5	113.5	58.4	5.4
17	DSSLS0817	1 1/2	38	40	126	61.9	7
25	DSSLS0825	1 3/4	44.7	50	154.2	72	11.9
35	DSSLS0835	2	60.4	56	158	76	18.32
55	DSSLS0855	2 1/2	67.7	69.6	197.4	112	32.97

- Working Load Limits Are Permanently Shown On Every Shackle
- All Shackles Meet The Performance Requirements Of Federal Specification RR-C-271F, Type IVA, Grade 2, Class 2, In General



V-TAL[®]



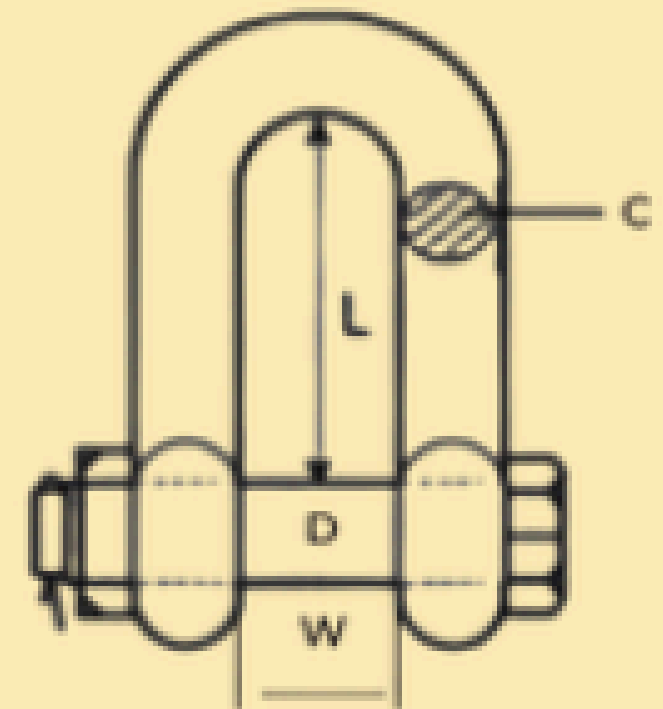
W.L.L	Item Code	Size (in)	C (Body)	D (Pin)	L (Inner Length)	W (Width)	Weight (kg)
0.3	DSSL08003	3/16	5.5	6.3	21.58	9.3	0.025
0.5	DSSL08005	1/4	6.5	8	22.7	12.2	0.04
0.75	DSSL08007	5/16	8	9.6	26.16	12.6	0.08
1	DSSL0801	3/8	10	11.05	30.23	16.2	0.13
1.5	DSSL0815	7/16	11.05	12.8	36.6	18.13	0.18
2	DSSL0802	1/2	13	16	39.7	20.3	0.3
3.25	DSSL0803	5/8	16.5	20	50	26.5	0.58
4.75	DSSL0805	3/4	19	22	64	31.7	0.97
6.5	DSSL0806	7/8	22.4	25	70.5	37.6	1.41
8.5	DSSL0808	1	25.3	28.2	80	44.4	2.01
9.5	DSSL0810	1 1/8	28.5	32.5	92.2	47.6	2.97
12	DSSL0812	1 1/4	31	35	97	50.5	4.08
13.5	DSSL0813	1 3/8	35	38.5	113.5	56.4	5.4
17	DSSL0817	1 1/2	38	40	126	61.9	7
25	DSSL0825	1 3/4	44.7	50	154.2	72	11.9
35	DSSL0835	2	60.4	56	158	76	18.32
55	DSSL0855	2 1/2	67.7	69.6	197.4	112	32.97

Key Features / Notes

- ✓ Working Load Limits are permanently marked on every shackle
- ✓ Meets Federal Specification RR-C-271F, Type IVA, Grade 2, Class 2
- ✓ All shackles are galvanised
- ✓ Manufactured using drop forging



V-TAL[®]



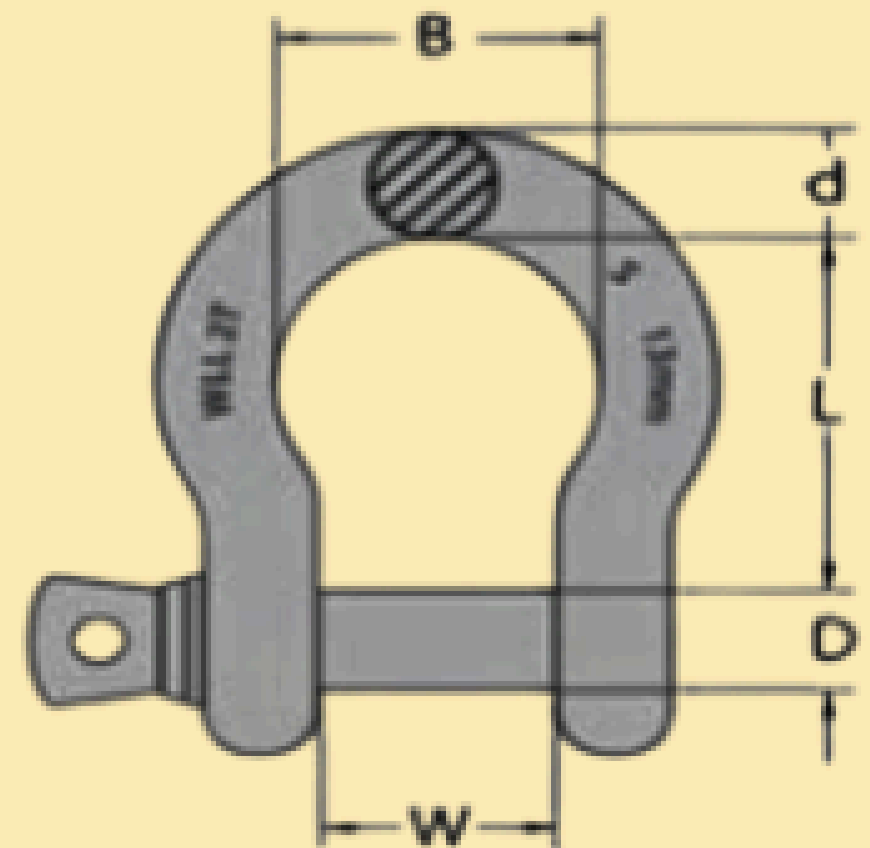
W.L.L	Item Code	Size (in)	C (Body)	D (Pin)	L (Inner Length)	W (Width)	Weight (kg)
1	DNSL0801	3/8	10	11.41	32	16	0.14
2	DNSL0802	1/2	13	16	41.4	19.95	0.32
3.25	DNSL0803	5/8	16.6	20	50	27	0.64
4.75	DNSL0805	3/4	19	22.1	60	31.2	1.15
6.5	DNSL0806	7/8	22	25.4	71.8	38	1.64
8.5	DNSL0808	1	25	28.3	80.2	44	2.2
9.5	DNSL0810	1 1/8	28.5	32.5	91.6	46.4	3.24
12	DNSL0812	1 1/4	32	36	97.1	51.6	4.34
13.5	DNSL0813	1 3/8	35	38.5	114.5	56.5	6.1
17	DNSL0817	1 1/2	38	41	125.5	61.2	7.9
25	DNSL0825	1 3/4	45.2	51	152	73.2	12.8
35	DNSL0835	2	51.5	56	160	82	19.3
55	DNSL0855	2 1/2	66	70	192	103	35

Key Points

- ✓ Working Load Limits are permanently shown on every shackle
- ✓ Meets Federal Specification RR-C-271F, Type IVA, Grade 2, Class 2
- ✓ All shackles are galvanised
- ✓ All shackles are drop forged



V-TAL[®]



W.L.L	Item Code	Size (in)	d (Body)	D (Pin)	L (Inner Length)	W (Width)	B (Inner Width)	Weight (kg)
1	BSSL0801	3/8	9.9	10.9	34.8	15.66	25.3	0.15
2	BSSL0802	1/2	13.3	16	48	18.3	32	0.33
3.25	BSSL0803	5/8	16.3	20.1	59.6	27.4	42.4	0.58
4.75	BSSL0805	3/4	19.2	22	72.7	32.3	50.5	0.99
6.5	BSSL0806	7/8	22	25.3	85.3	35.3	58	1.6
8.5	BSSL0808	1	25	28	96	43.2	68.4	2.28
9.5	BSSL0810	1 1/8	30	32.5	105	44.6	72.7	3.39
12	BSSL0812	1 1/4	31.9	35.3	116.5	49.8	80.7	4.5
13.5	BSSL0813	1 3/8	35	38.4	132	56.7	90.6	5.8
17	BSSL0817	1 1/2	38.5	40.5	150.5	63.5	99	7.8
25	BSSL0825	1 3/4	47	51	170.5	75.7	125	13.1
35	BSSL0835	2	53	56	200	85.5	143.5	19.5
55	BSSL0855	2 1/2	68.7	68.8	244.5	105.4	175	37.88

Key Points

- ✓ Working Load Limits are permanently shown on every shackle
- ✓ Meets Federal Specification RR-C-271F, Type IVA, Grade 2, Class 2
- ✓ All shackles are galvanised
- ✓ All shackles are drop forged